

OVERVIEW

Rekord & PAT AR Series are the most innovative high speed doors for both Internal and External use.

COIL has designed these doors with the indication and requirements of its main customers and the result it's an up-to-date door with the correct price positioning. Rekord series are the doors for Internal use for both Industrial and Commercial environments like Shopping Mall, Food industry, Chemical and Pharmaceutical industry.

PAT AR is the solution for bigger doors exposed on the external of the building. It can resist to a wind pressure and it is the answer to all forklift passage.

The break through self-repairing feature delivers a zero service cost door in all the busy environments.



Main Features

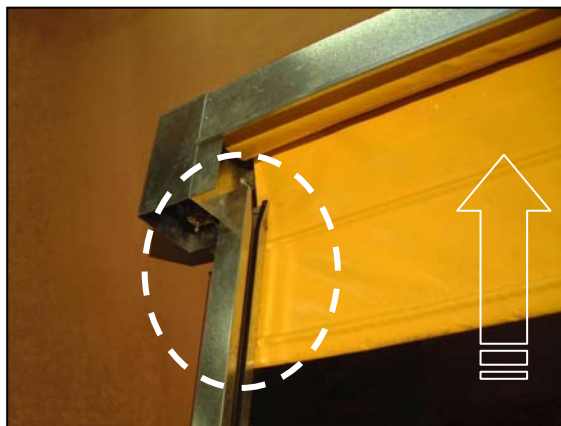
Speed	Thanks to the opening/closing speed up to 1mt/sec these doors can be installed in high traffic area and still guarantee a high safety level for the users.
Safety	The break through curtain is safe by definition. Overall weight and flexible parts make this doors suitable for public environment also.
Anti panic	Rekord it is not an obstacle for people flows. Rekord 600 can be equipped with a anti-panic system that opens the door automatically in case of power failure..
Total cost of ownership	Record and PAT AR comes with the most affordable price. The self-repairing feature avoid service calls in case of impact. The result is the lowest Total Cost of Ownership available (to buy + to maintain + to service).

Break through self-repairing

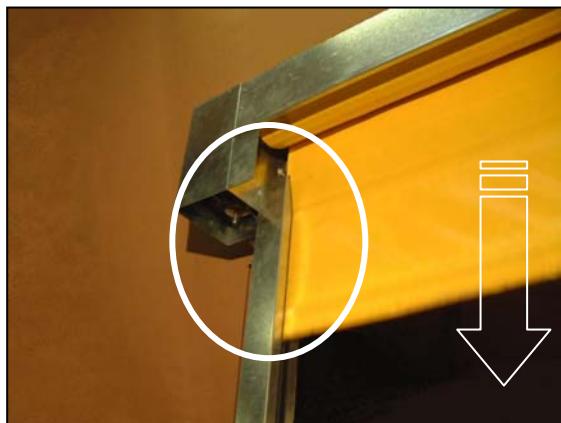
In case of impact the curtain goes out from the upright without damages.



The door continues to open, rolling up the curtain on the barrel.



When the door closes down, the curtain will be repositioned automatically in the uprights.



Technical Specifications

- For **Internal Use** only (**ReKord**) or **Internal/External (PAT AR)**.
- Made from trevira-type twin-moulded polyester fabric, self-extinguishing Class 2, with pockets for strengthening flexible tubes. Curtains available in a selection of colours. One transparent PVC window for safety and interior lighting.
- **Anti-crash break-trough** system.
- **Self-Repairing** system for automatic reintroduction of the curtain in case of accidental impact.
- Ultra-silent sliding mechanism, featuring lateral guides with twin rubber seal guides..
- Ultra-silent motor three-phase self-braking assembly powered by 220/380 V. Comes with safety heat detector. Electromagnetic lock brake. Cam limit-switch assembly.
On **Rekord 600** the motor is positioned on-front for easy fittings.
- PT Control Box in a robust enclosure (protection degree IP 55, in compliance with updated CEE/CEI 44/5 and DIN standards). On the Standard control box is a up push buttons and emergency push/lock button.
- One Pair of transmitter/receiver type UNI 8612 compliant. Stops downward movement of the door and returns it to the open position should any obstacle be detected by the threshold beam.
- Manual Emergency opening in the event of power failure or malfunction at user-height.
- Automatic Emergency opening on **Rekord 600** by a curtain counterbalance system with command at user height. This version can be equipped with an anti-panic device that opens the door automatically in case of power failure.

- **Product compliant with Directive 89 / 392 CE.** Every COIL door is delivered with CE Certificate. CE certification includes 89/392/CEE, EMC (89/336/CEE) e Low Voltage (73/23/CEE).

Rekord 400 – PAT 100 AR



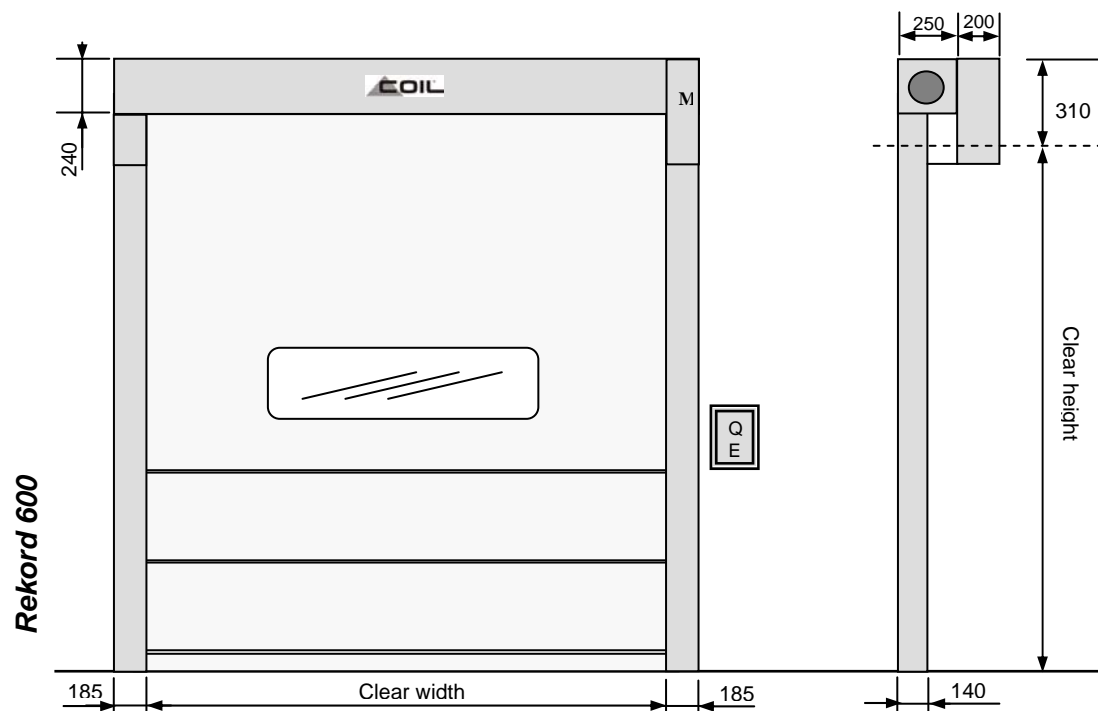
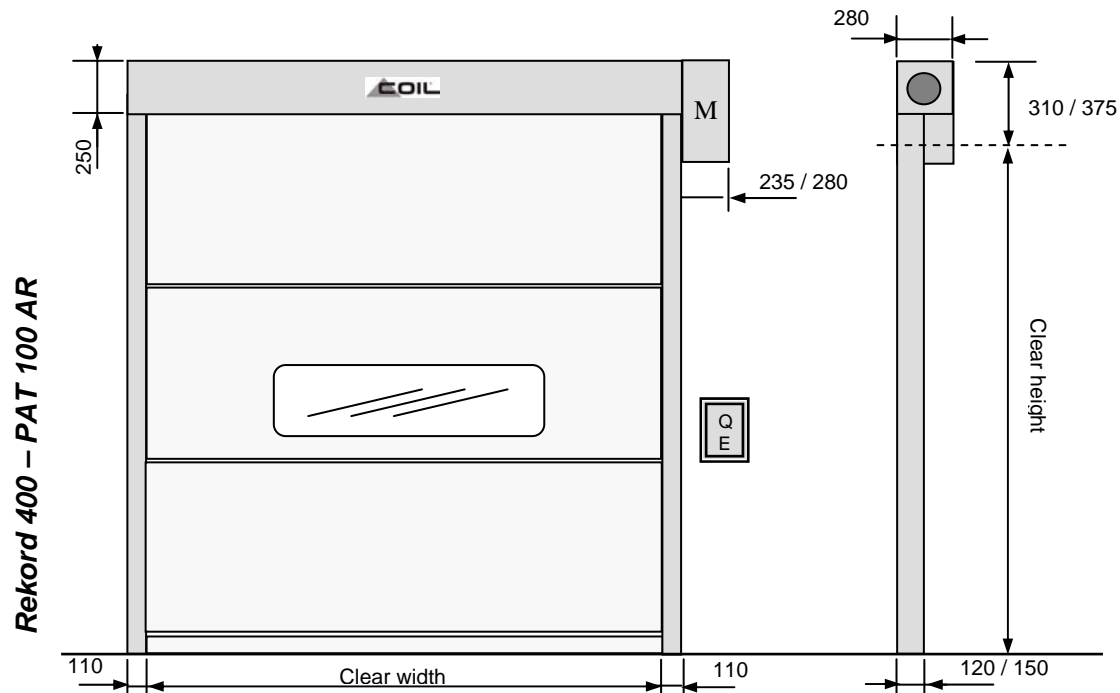
Rekord 600



Door Dimension

- Self supporting structure**

Made from special galvanised steel profile, dimensioned to ensure durability and protection in all situations, even against accidental impact. Full width canopy and motor cover as standard. Optional Structure made from AISI 304 stainless steel or RAL painted..



Door Fitting

To have the “self-repairing feature”, door must be installed partially in the doorspace. This is because the curtain has to go out completely even towards the wall.

The dimensions of clear width and height are given by :

Clear width = opening width less 170mm

Clear height = opening height less 50mm

Max clear width Rekord 3000 mm

Max clear width PAT AR 4000 mm

Max clear height Rekord 3000 mm

Max clear height PAT AR 5000 mm

